

New compact heat pump TnG-Air



Our technology makes very cheap energy from air, for your comfort, independence and savings.

And it is in harmony with nature.



www.zatopime.cz

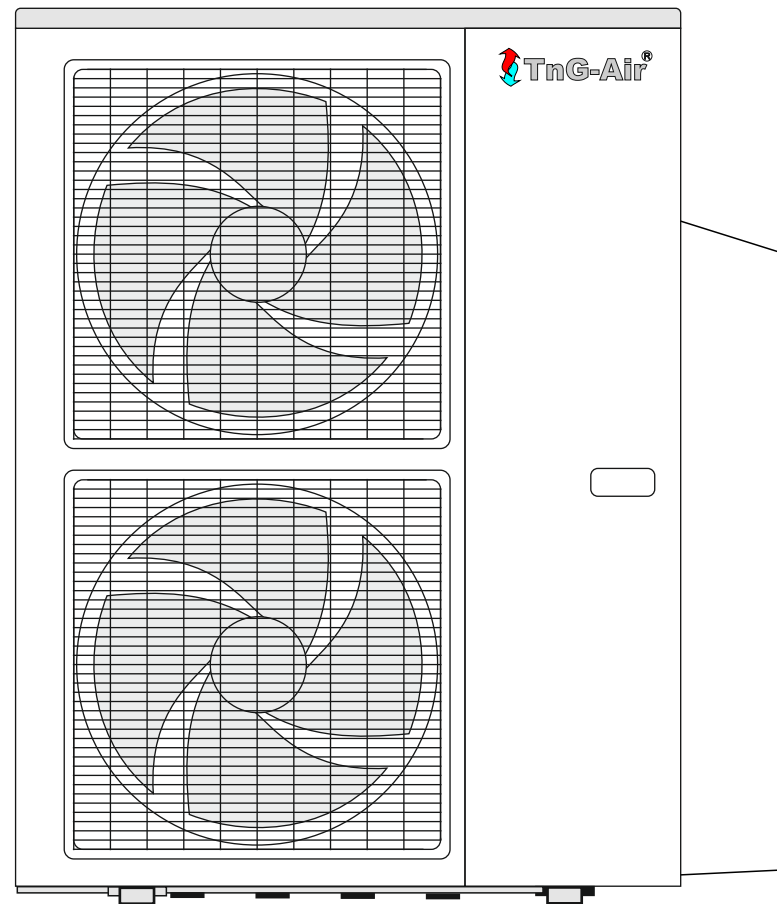
Modern, quality and hi-tech
European heat pumps



New compact heat pump TnG-Air



New product for Scandinavian market



www.zatopime.cz

Modern, quality and hi-tech
European heat pumps



New compact heat pump TnG-Air



COMPACT Heat Pumps



www.zatopime.cz

Modern, quality and hi-tech
European heat pumps



New product for Scandinavian market

- High-efficiency heat pumps of class A ++
- The HM series heat pumps do not need professional installation and expensive labor cooling technology
- Integrate circulation pump and electric heater 6kW (steps 2/4/6 kW)
- TnG-Air HM1100CM - designed for houses with low heat loss
- TnG-Air HM1400CM - designed for houses with average heat loss
- TnG-Air HM1500CM - designed for houses with higher heat loss
- Heat pumps are very efficient up to SCOP 4.2
- Simple, yet sophisticated electronic control system
- Wi-Fi connection for convenient operation via phone, tablet or PC
- Fully automatic operation
- Support for phone control (Android, iOS, Windows) or computer (Windows, iOS)
- Constant service supervision over the Internet



HM1100CM

High-efficiency heat pump of class A++
TnG-Air HM1100CM - designed for houses
with low heat loss

Heat pump is very efficient SCOP 4.0
(measured with EN14511)

Wi-Fi connection for convenient operation via phone,
tablet or PC. Fully automatic operation

Heat pump	Condition	Power	Input	COP
HM1100Ci	12 °C	9,1	1,3	7,0
normal conditions	7 °C	8,4	1,6	5,1
scop 156%	2 °C	7,2	1,9	3,7
P _{des} 6kW	-7 °C	6,2	2,3	2,7
class A++	-10 °C	6,2	2,5	2,5





HM1400CM

High-efficiency heat pump of class A++

TnG-Air HM1400CM - designed for houses

with average heat loss

Heat pump is very efficient SCOP 4.2

(measured with EN14511)

Wi-Fi connection for convenient operation via phone, tablet or PC. Fully automatic operation

Heat pump	Condition	Power	Input	COP
HM1400Ci normal conditions scop 170% P _{des} 9kW class A++	12 °C	9,9	1,4	7,0
	7 °C	9,8	1,9	5,1
	2 °C	7,8	1,8	4,3
	-7 °C	8,3	2,7	3,1
	-10 °C	9,1	3,5	2,6
cold conditions class A+	-15 °C	7,7	3,4	2,3
	-17 °C	7,9	3,9	2,0
	-22 °C	8,2	4,4	1,9





HM1500CM

High-efficiency heat pump of class A++
TnG-Air HM1500CM - designed for houses
with higher heat loss

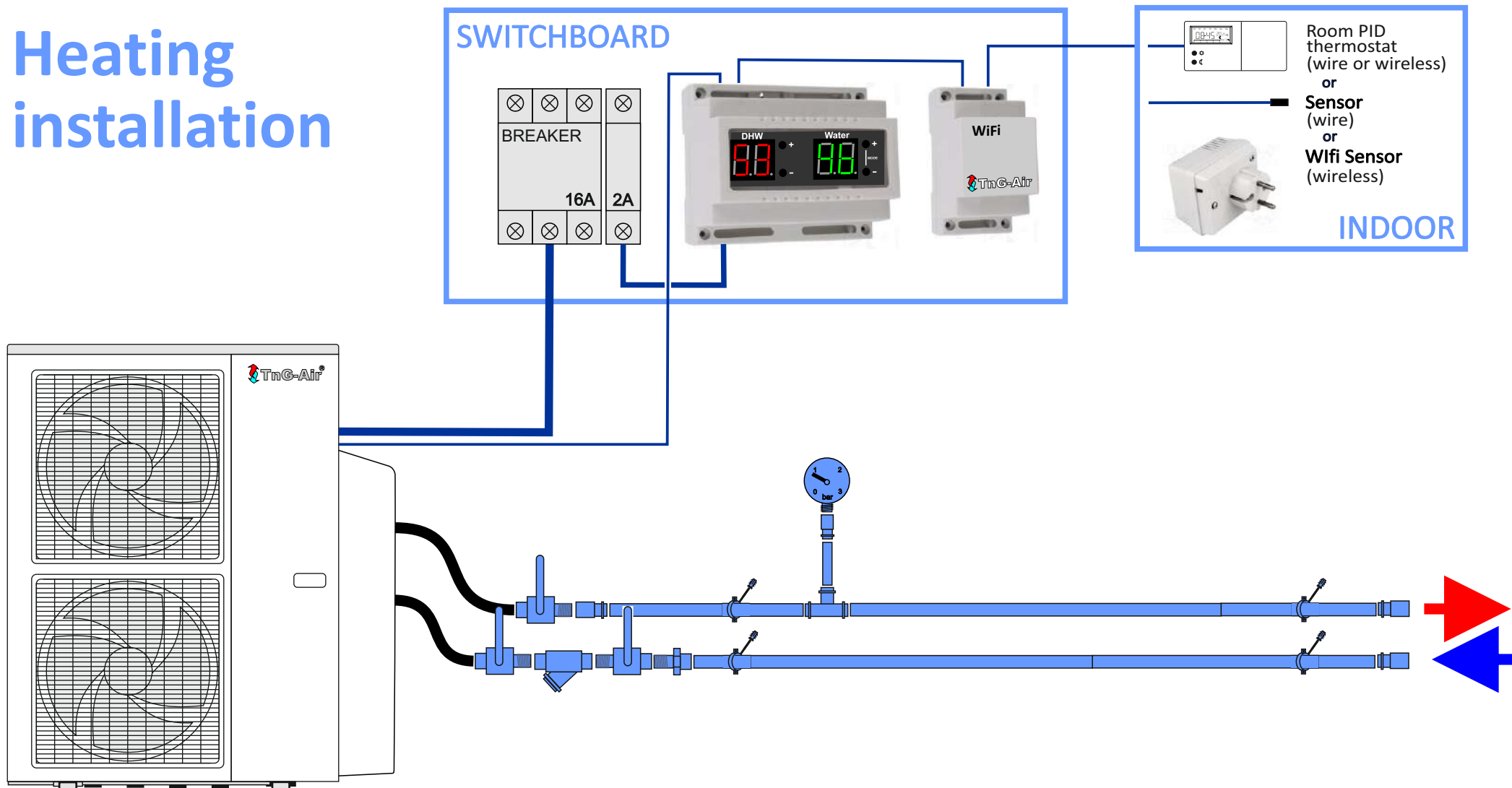
Heat pump is very efficient SCOP 4.2
(measured with EN14511)

Wi-Fi connection for convenient operation via phone,
tablet or PC. Fully automatic operation

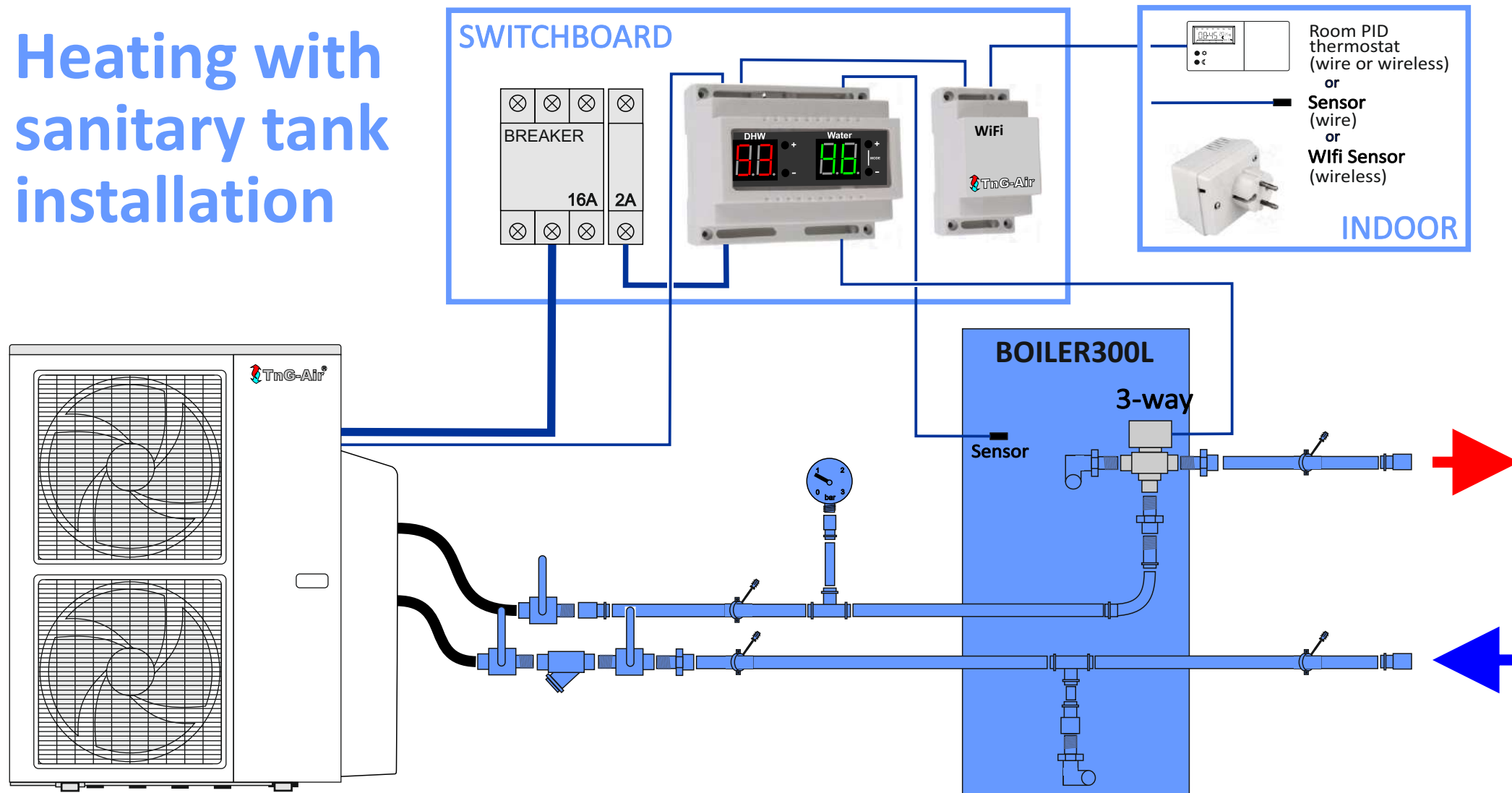
Heat pump	Condition	Power	Input	COP
HM1500Ci	12 °C	8,5	1,1	7,7
normal conditions	7 °C	8,0	1,6	5,6
scop 168%	2 °C	9,2	1,9	4,2
P _{des} 16kW	-7 °C	12,3	2,3	2,7
class A++	-10 °C	12,2	2,5	2,6
cold conditions	-22 °C	8,2	4,4	1,9

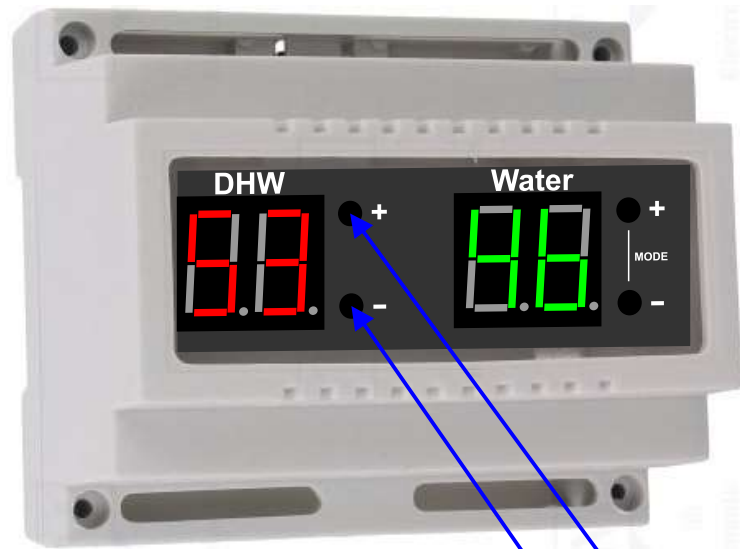


Heating installation



Heating with sanitary tank installation





Control unit sanitary tank setting

Water temperature inside the sanitary tank
is between 48°C and 55°C.

INCREASE sanitary tank temperature

DECREASE sanitary tank temperature



Control unit

Heating setting MODE1

Heating water temperature range is 20-55°C.

INCREASE heating water temperature

DECREASE heating water temperature

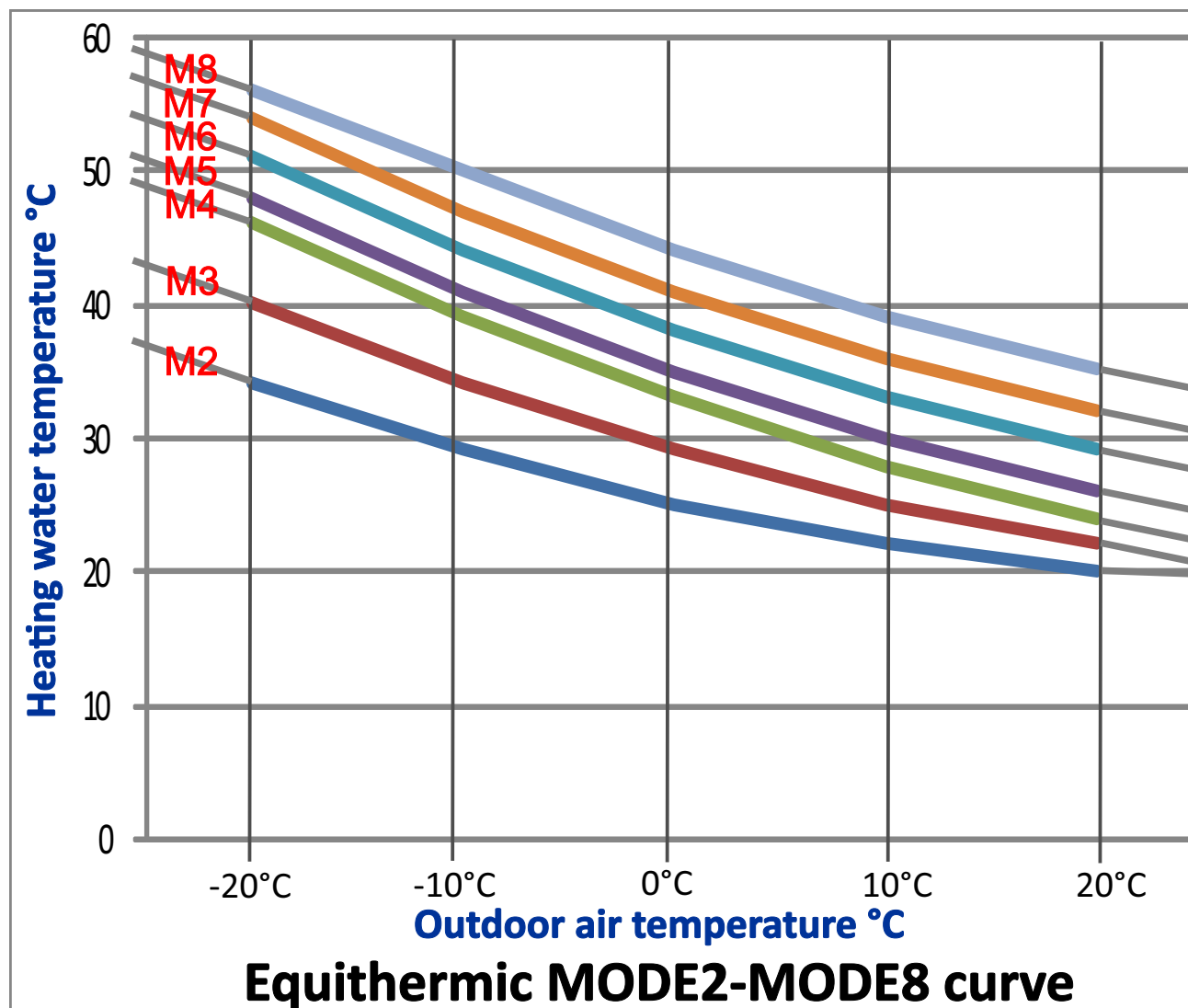


Control unit other heating MODE 1-8

Simultaneous push select MODE

- MODE1 Permanent water out (default)
- MODE2 Equithermic curve M2
- MODE3 Equithermic curve M3
- MODE4 Equithermic curve M4
- MODE5 Equithermic curve M5
- MODE6 Equithermic curve M6
- MODE7 Equithermic curve M7
- MODE8 Equithermic curve M8

New compact heat pump TnG-Air



New compact heat pump TnG-Air



Online Supervision



www.tng-smart.cz



RESUME

- High-efficiency heat pumps of class A ++
- The HM series heat pumps do not need professional installation and expensive labor cooling technology
- Heat pumps are very efficient up to SCOP 4.2
- Simple, yet sophisticated electronic control system
- Fully automatic operation
- Support for phone control (Android, iOS, Windows) or computer (Windows, iOS)
- Constant service supervision over the Internet

Status: Prototype: **Finish**
Certification: **Finish**
Production start: **1/2020**



New compact heat pump TnG-Air



Thank you for your attention

www.zatopime.cz

Modern, quality and hi-tech
European heat pumps

