



ColdWatch

Trapped personnel alarm kit

Connected Efficiency

ColdWatch

Emergency kit for signalling when people are trapped inside a cold room, with customisable alarm relay logic.

- Device operating at all times, visual and audible warning;
- Flexible installation thanks to configurable alarm relay logic in accordance with EN 378-1;
- Multi-language, product and documentation available in 10 languages.

The trapped personnel alarm kit is a safety system for installation inside low temperature cold rooms.

It comprises:

- **control unit:** installed outside the cold room; equipped with a siren and flashing light to signal the alarm;
- **backup battery:** installed inside the control unit, supplies power in the event of a blackout;
- **emergency push-button:** installed inside the cold room, the mushroom-head push-button has LED lighting for easy identification, even in the dark.

ColdWatch complies with European standard EN 378-1, which requires the presence of an audible and visual safety device in cold rooms with a volume exceeding 10 m³ and operating at temperatures below zero.



Alarm

Visual and audible alarm placed outside the cold room.



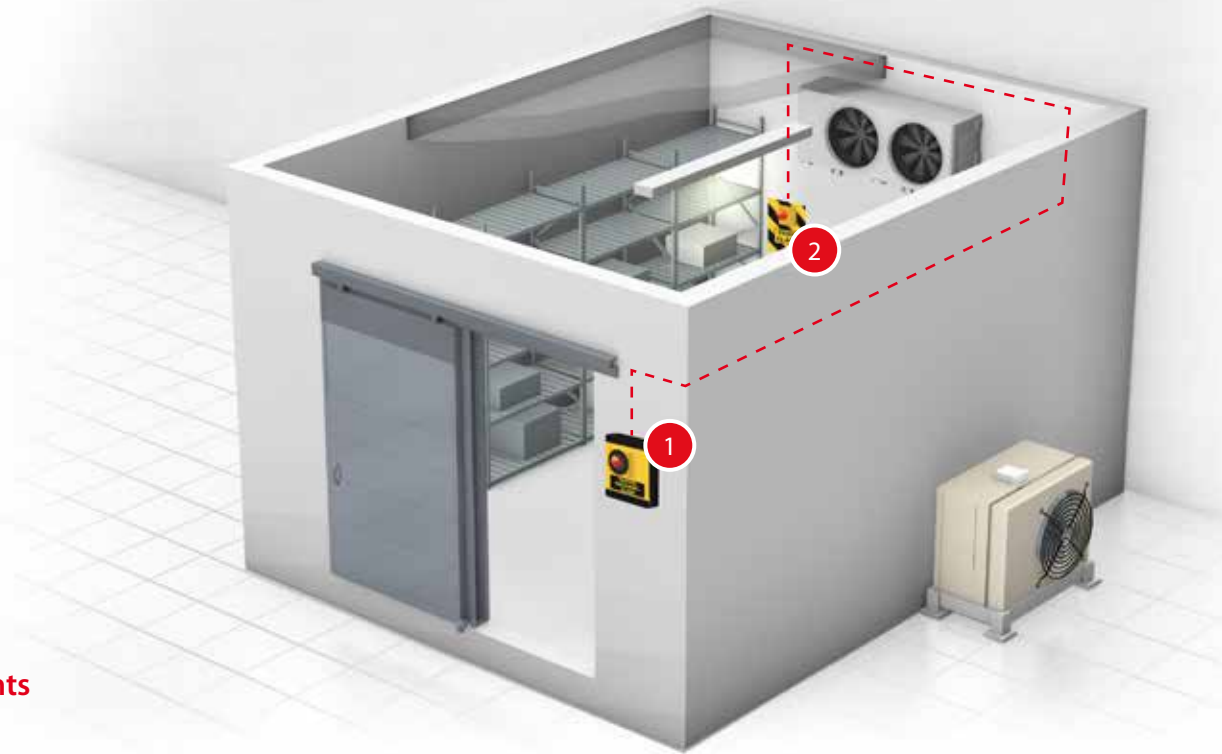
Emergency

Emergency button, illuminated at all times, inside the cold room.



Battery

In the event of a power outage, the device remains fully operational, thanks to a backup battery with 10 hours' autonomy.



System components

Application example

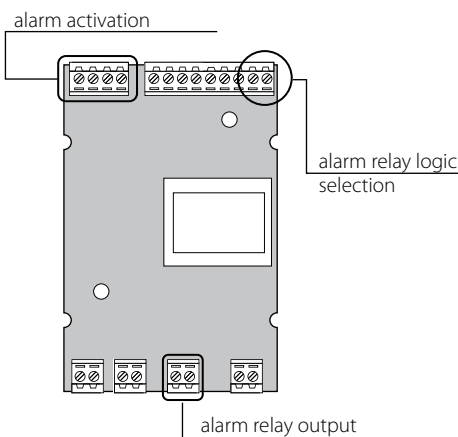
- 1 Control unit**
This features an electronic board that provides:
- 1 relay with configurable logic to connect to devices that: shut down the cold room, switch the cold room light on or activate a telephone dialler;
 - Possibility to connect a second alarm input and a series of output signals (open collector)

relating to battery charge and power supply status;

- Customisable alarm relay logic. The changeover in alarm status is managed via a dedicated input, and can be associated either with opening or closing of the relay (see the table below).

- 2 Emergency push-button**
LED lighting for easy identification at all times, supplied with a complete warning sticker and drilling template. A maximum of four push-buttons can be connected, up to 600 m away from the control unit.

ColdWatch electronic board



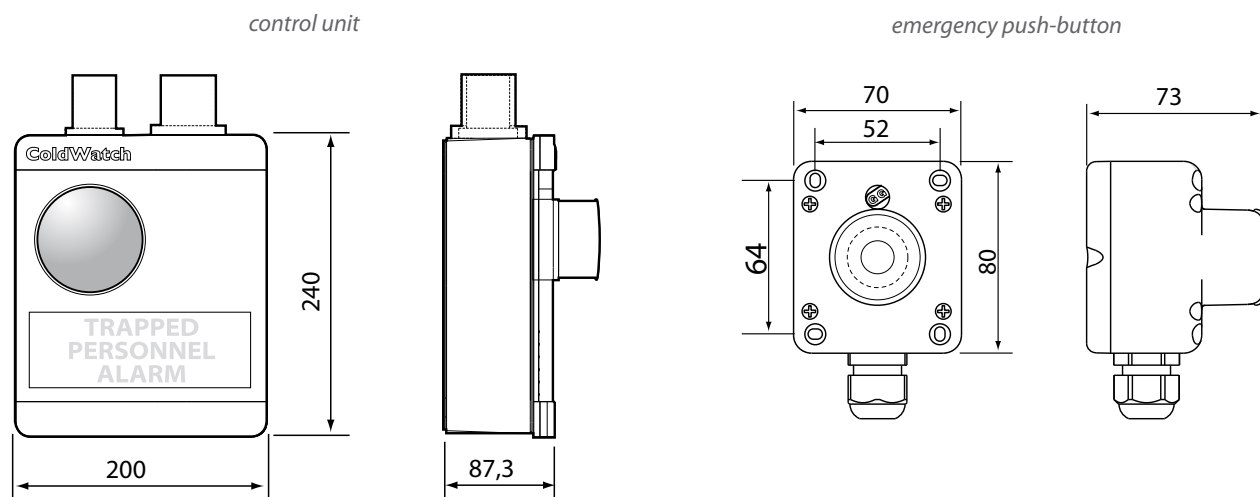
Configurable alarm logic

	Alarm OFF	Alarm ON
	Contact closed	Contact open
	Contact open	Contact closed

Technical specifications

Main power supply	230 Vac 50/60 Hz
Operating autonomy	with 230 Vac power supply connected: unlimited; with battery charged: 10 h
Battery	12 Vdc
Battery autonomy	10 h
Visual signalling	Flashing red LED
Acoustic characteristics	100 dB at 1 m; 90 dB at 3 m
Emergency push-button in the cold room	red LED lighting 12 Vdc -25 to 40 °C IP65
Module outside the cold room	-10 to 40 °C IP43
Auxiliary relay	250 Vac 5 A AC1 configurable (Default: contact open with alarm active)

Dimensions in (mm)



Part numbers available

The kit comprises the control unit + emergency push-button, with the following languages available:

Part number	Language
CM00005953	English
CM00006056	French
CM00006079	Italian
CM00006080	Spanish
CM00006081	German
CM00006207	Danish
CM00006236	Australian
CM00006237	Portuguese
CM00006433	Swedish
CM00006551	Polish

Other languages will be made available on request.

Headquarters

CAREL INDUSTRIES HQs
Via dell'Industria, 11
35020 Brugine - Padova (Italy)
carel@carel.com

HygroMatik GmbH
Lise-Meitner-Str. 3
24558 Henstedt-Ulzburg - Germany
hy@hygromatik.de

RECUPERATOR
Via Valfurva 13
20027 Rescaldina (MI), Italy
customercare@recuperator.eu

For more information

CAREL Asia - www.carel.hk
CAREL Australia - www.carel.com.au
CAREL Central & Southern Europe - www.carel.com
CAREL Czech & Slovakia - www.carel.cz
CAREL spol. s.r.o.
CAREL Deutschland - www.carel.de
CAREL China - www.carel-china.com
CAREL France - www.carelfrence.fr
CAREL Korea - www.carel.kr
CAREL Ibérica - www.carel.es
CAREL Ireland - www.carel.ie
FarrahVale Controls & Electronics Ltd.
CAREL Italy - www.carel.it
CAREL India - www.carel.in

CAREL Japan - www.carel-japan.com
CAREL Mexicana - www.carel.mx
CAREL Middle East - www.carel.ae
CAREL Nordic - www.carelnordic.se
CAREL Poland - www.carel.pl
ALFACO POLSKA
CAREL Russia - www.carelrussia.com
CAREL South Africa - www.carelcontrols.co.za
CAREL Sud America - www.carel.com.br
CAREL Thailand - www.carel.co.th
CAREL Turkey - www.carel.com.tr
CFM Sogutma ve Otomasyon San. Tic. Ltd.
CAREL U.K. - www.careluk.com
CAREL U.S.A. - www.carelusa.com



CAREL

To the best of CAREL INDUSTRIES S.p.A. knowledge and belief, the information contained herein is accurate and reliable as of the date of publication. However, CAREL INDUSTRIES S.p.A. does not assume any liability whatsoever for the accuracy and completeness of the information presented without guarantee or responsibility of any kind and makes no representation or warranty, either expressed or implied. A number of factors may affect the performance of any products used in conjunction with user's materials all of which must be taken into account by the user in producing or using the products. The user should not assume that all necessary data for the proper evaluation of these products are contained herein and is responsible for the appropriate, safe and legal use, processing and handling of CAREL's products. The information provided herein does not relieve the user from the responsibility of carrying out its own tests, and the user assumes all risks and liabilities related to the use of the products and/or information contained herein. © 2020 CAREL INDUSTRIES S.p.A. All rights reserved.